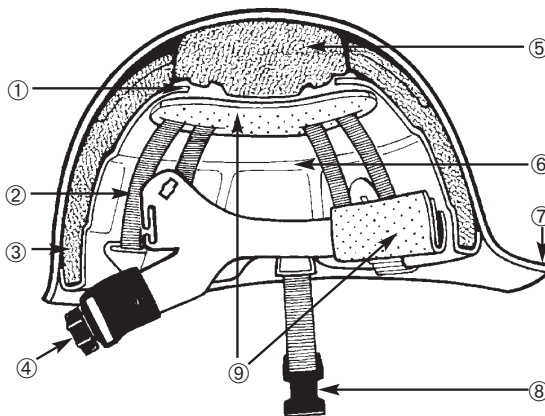




It's your life and you're worth it™

## ADVENT. Revolutionary Construction, Advanced Levels of Protection.

1. **Inner Shell of ABS** – helps protect by distributing forces of impact over a wide area.
2. **Eight-point Suspension System** – adds stability and comfort.
3. **Expanded Polystyrene Foam Core** – reduces the possibility of serious head injury by helping absorb forces of impact.
4. **Sure-Lock® Ratchet Headband** – makes sizing quick, comfortable, and easy.
5. **Expanded Polyethylene Crown Cushion** – helps prevent head contact with the shell in the event of top impact.
6. **Ventilation Channels** – help keep wearers cooler and more comfortable.
7. **Outer Shell of Thermoplastic** – provides superior impact and penetration protection over a wide range of temperatures.
8. **Permanently Attached Chinstrap** – increases stability and security, with quick-release buckle. ADVENT A2 is available with a 3-point cradle chinstrap.
9. **Vinyl Crown and Brow Pad** – provides enhanced comfort.



### Ordering Information

CATALOG NUMBER	DESCRIPTION
A1	ADVENT helmet with 2-point chinstrap
A2	ADVENT helmet with 3-point cradle chinstrap
<b>Colors:</b>	A1 and A2 are available in white, red, yellow, orange, and blue.
<b>Accessories</b>	
ADFB	Accessory blades for mounting firefighting faceshield on ADVENT
R325	6" polycarbonate faceshield
R330	4" polycarbonate faceshield
R160	Leather ratchet cover
<b>Replacement Parts</b>	
ADRTSL	8-point Sure-Lock ratchet suspension with foam-backed vinyl brow pad and crown pad
A101	Replacement brow pad for ADRTSL suspension

CATALOG NUMBER	DESCRIPTION
A110	Dielectric quick-release 2-point chinstrap (includes mounting hardware)
<b>Decorations</b>	
OR145	3" ( 7.6 cm) Star of Life decal
OR308	7" x 4" (17.8 cm x 10.2 cm) Crescent, Emergency Medical Technician
OR309	7" x 4" (17.8 cm x 10.2 cm) Crescent, Safety Officer
OR310	7" x 4" (17.8 cm x 10.2 cm) Crescent, Paramedic
R540	Lime retro-reflective strips, 1" x 4" (2.5 cm x 10.2 cm) Scotchlite® (set of 3)
R541	Orange retro-reflective strips, 1" x 4" (2.5 cm x 10.2 cm) Scotchlite® (set of 3)
R538	White retro-reflective strips, 1" x 4" (2.5 cm x 10.2 cm) Scotchlite® (set of 3)

### ⚠ WARNING

No helmet can protect the wearer against all impacts. This helmet is designed to provide limited protection to the top, front, sides, and rear of the head by REDUCING the force of objects striking the helmet. AVOID areas unprotected from falling or flying objects whenever possible. AVOID contact with electrical wires. THIS HELMET IS NOT FOR USE DURING MOTOR VEHICLE OPERATION OR FOR STRUCTURAL FIRE FIGHTING.

Bullard products are manufactured to exacting specifications. Any alteration or modification of these products by the user may adversely affect product performance. This brochure is in summary form only for easy reference. Refer to labels, instructions or other literature accompanying the product for more complete details regarding product use, maintenance, warnings, performance capabilities, complete specifications, instructions and precautions. Failure to observe this warning could result in death or serious injury.





## ADVENT® Helmet



### The ADVENT® Helmet. Designed Specifically for Emergency Response Services.

The ADVENT helmet offers paramedics, emergency medical technicians, industrial hazard response teams, and search and rescue personnel a revolutionary new concept in head protection. Available in two models, ADVENT offers a variety of special benefits.

#### Highly Protective

ADVENT offers top, front, side and rear impact and penetration protection. This level of head protection is essential for emergency response professionals who are involved in everything from vehicle extrication to rope rescue. ADVENT meets/exceeds ANSI Z89.1-2003, Type II, Class E & G requirements.

#### Comfortable

At just over 25 ounces (709g), ADVENT is half the weight of conventional firefighter helmets, and is the same weight as many climbing helmets. Its compact design with no rear brim improves freedom of movement both in and out of emergency vehicles and confined spaces.

A crown pad and a soft replaceable, foam-backed vinyl brow pad provide extra comfort.

#### Easy Adjustment

ADVENT's adjustable ratchet suspension (ADRTSL) makes it easy to size instantly.

#### Economical

ADVENT is affordable - less than half the price of conventional fire helmets.

#### Adaptable

ADVENT can be equipped with a variety of accessories, including faceshields, ear/neck protectors and hearing protectors.

#### Easy to Customize

ADVENT is designed as part of the professional's standard uniform. Both models are available in five colors and may be customized with pad printed logos, decals and reflective strips.



Model A2

